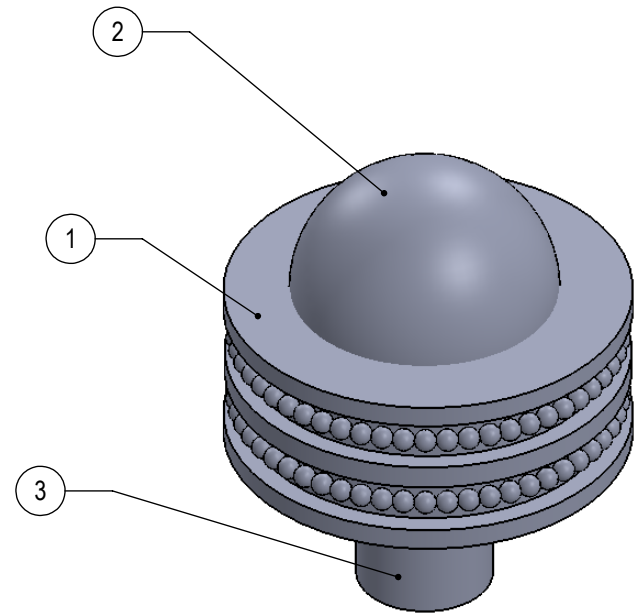
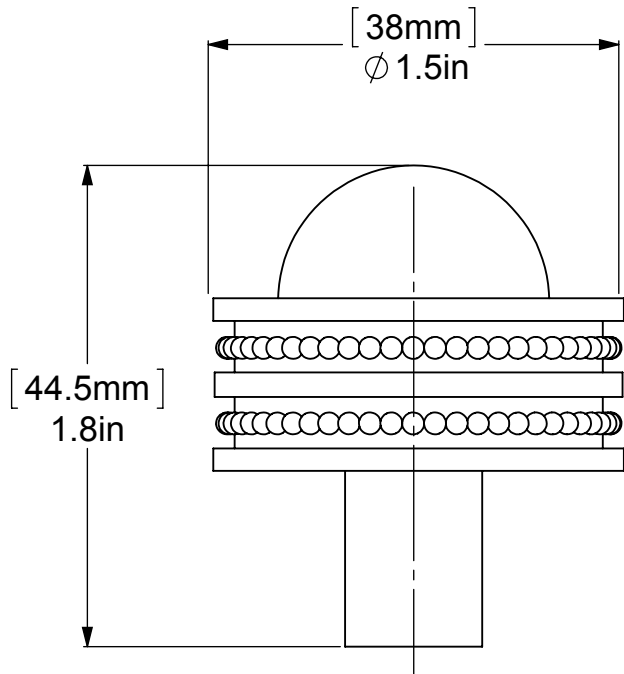
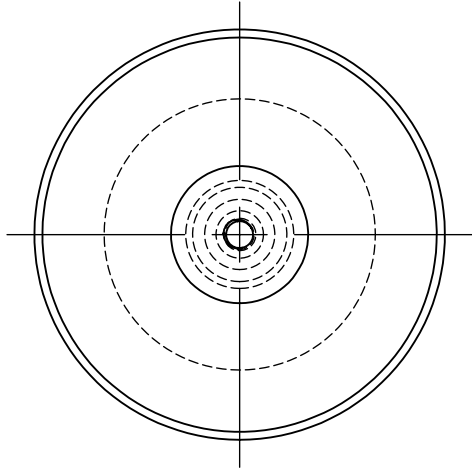


ITEM NO.	PART NUMBER	DESCRIPTION	QTY.
1	RGDT	HUB	1
2	CAHR-1	CAP	1
3	PSRD8-12	BASE TUBE	1



APPROVED FOR PRODUCTION


By: RICHARD PAUL
Date: 6-2-2021

UNLESS OTHERWISE STATED	
.X	±.3mm
.XX	±.15mm
.XXX	±.008mm

COPYRIGHT © Allied Brass 2021



THIRD ANGLE PROJECTION

DRAWN	5-28-21	I.M	MATERIAL:	BRASS	FINISH	TBD
CHECKED	5-28-21	P.D	DESCRIPTION:		QUANTITY	TBD
APPROVED	5-28-21	R.A	1-1/2 Inch Cabinet Knob		DRAWING No.	REV
					101AD	0
				SCALE	1:0.7	SHEET: 01
						A4